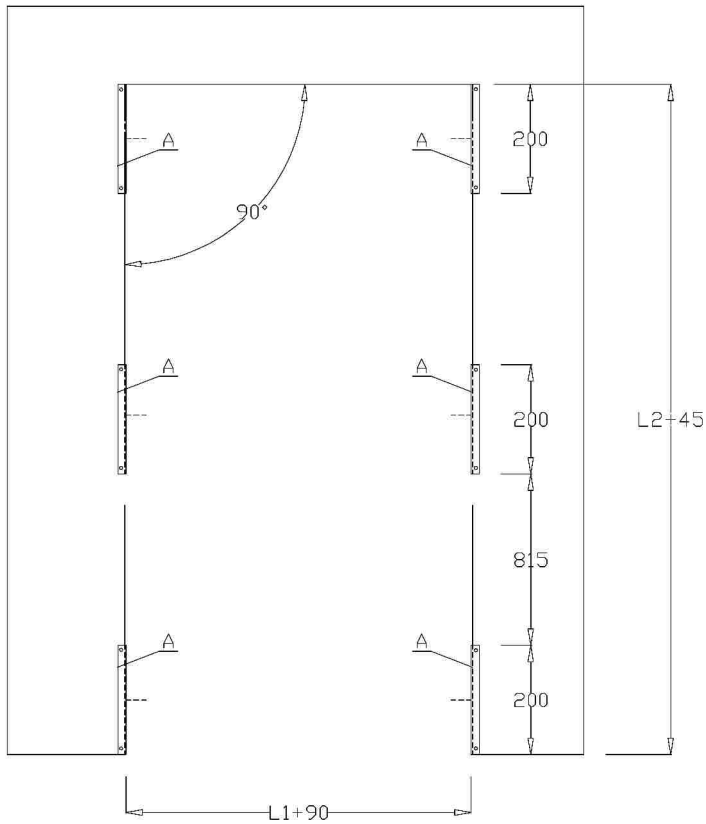
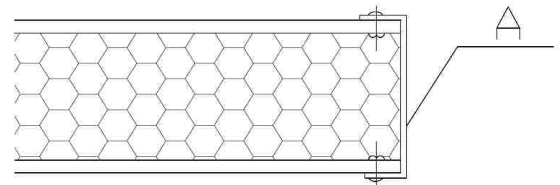
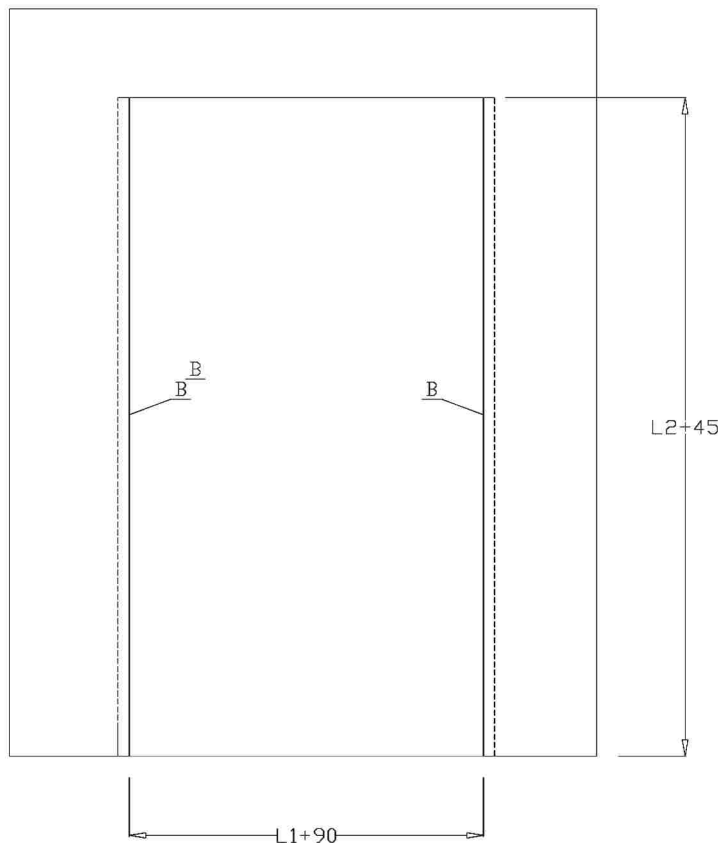


ASSEMBLY INSTRUCTION

**APPLICATION ON PANEL**


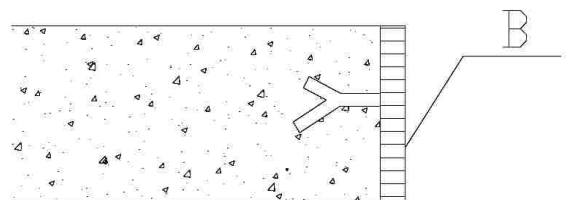
- 1 - Cut door case on panel  
length =  $L1+90$   
height =  $L2+45$

- 2 - Install no. 6 A sections  
(supplied with door) with rivets as shown

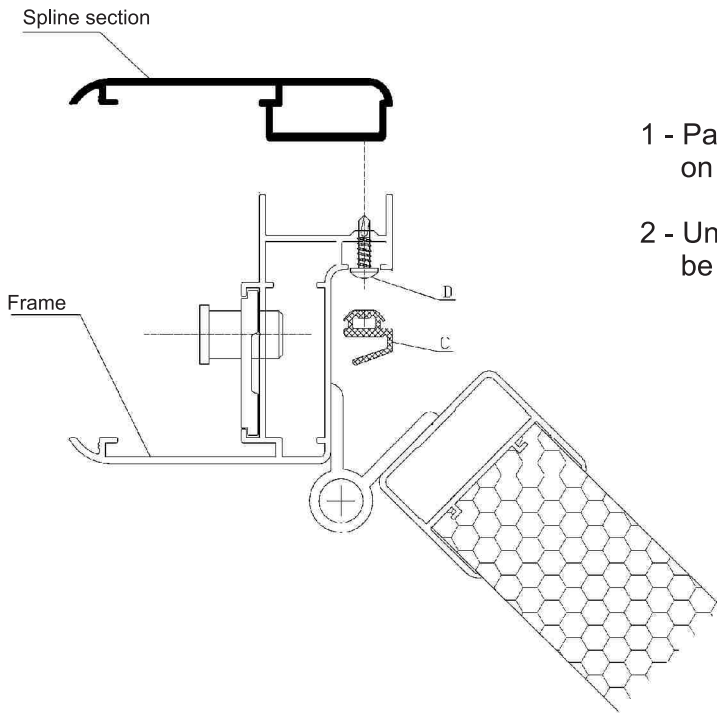

**APPLICATION ON WALL**


- 1 - Open door case on wall  
length =  $L1+90$   
height =  $L2+45$

- 2 - Prepare no. 2 wooden sections (B)  
height =  $L2+45$  and insert in wall thickness

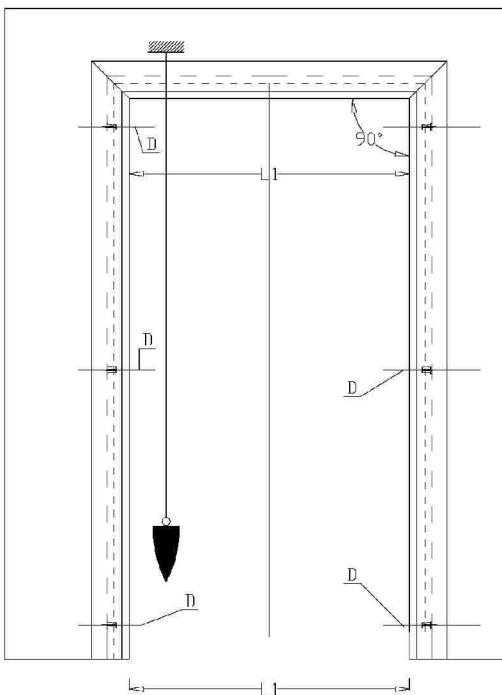


## STEP 2 - DISMANTLING OF SPLINE SECTION FROM FRAME



- 1 - Partially withdraw gasket (C) next to the six screws (D) on ends and middle of the two vertical jambs.
- 2 - Unscrew the six screws (D) until spline section can be withdrawn

## STEP 3 - ASSEMBLY OF FRAME ON DOOR CASE

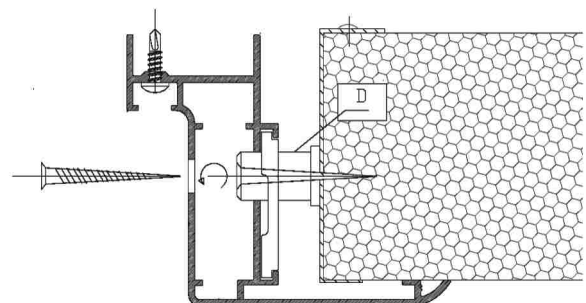
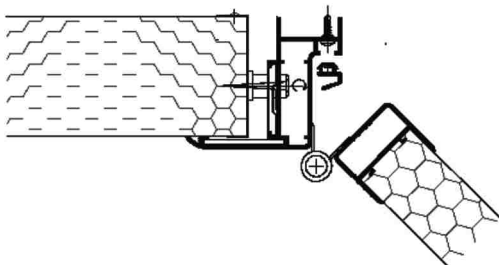


- 1 - Place door on door case, open wing
- 2 - Screw six holders (D) with hexagonal wrench until they press on A or B sections.

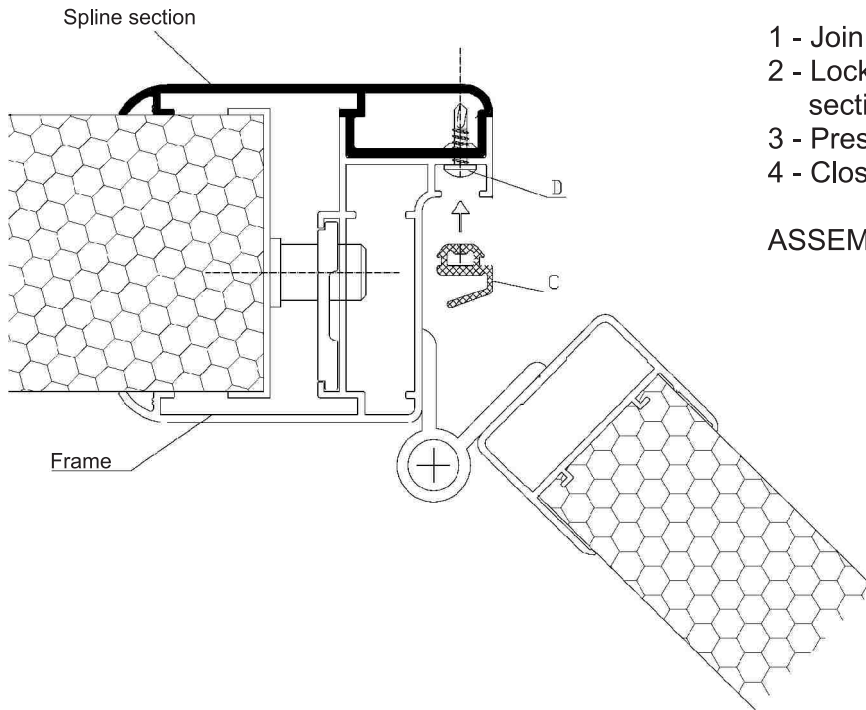
Monitor that:

- the two vertical jambs must be perfectly in line and parallel
- on closing wing, the gap between wing and frame must be even
- on opening wing, it must not scratch the floor

- 3- Lock frame to door case with six screws 4.8 x 60 (supplied). Insert them in hexagonal hole of holder after drilling with pin D = 3



**STEP 4 - REASSEMBLY OF SPLINE SECTION ON FRAME**



- 1 - Join spline section to frame
- 2 - Lock the six screws (D) until spline section is integral to frame.
- 3 - Press gasket inside its housing
- 4 - Close wing, monitor that lock works smoothly

ASSEMBLY IS OVER