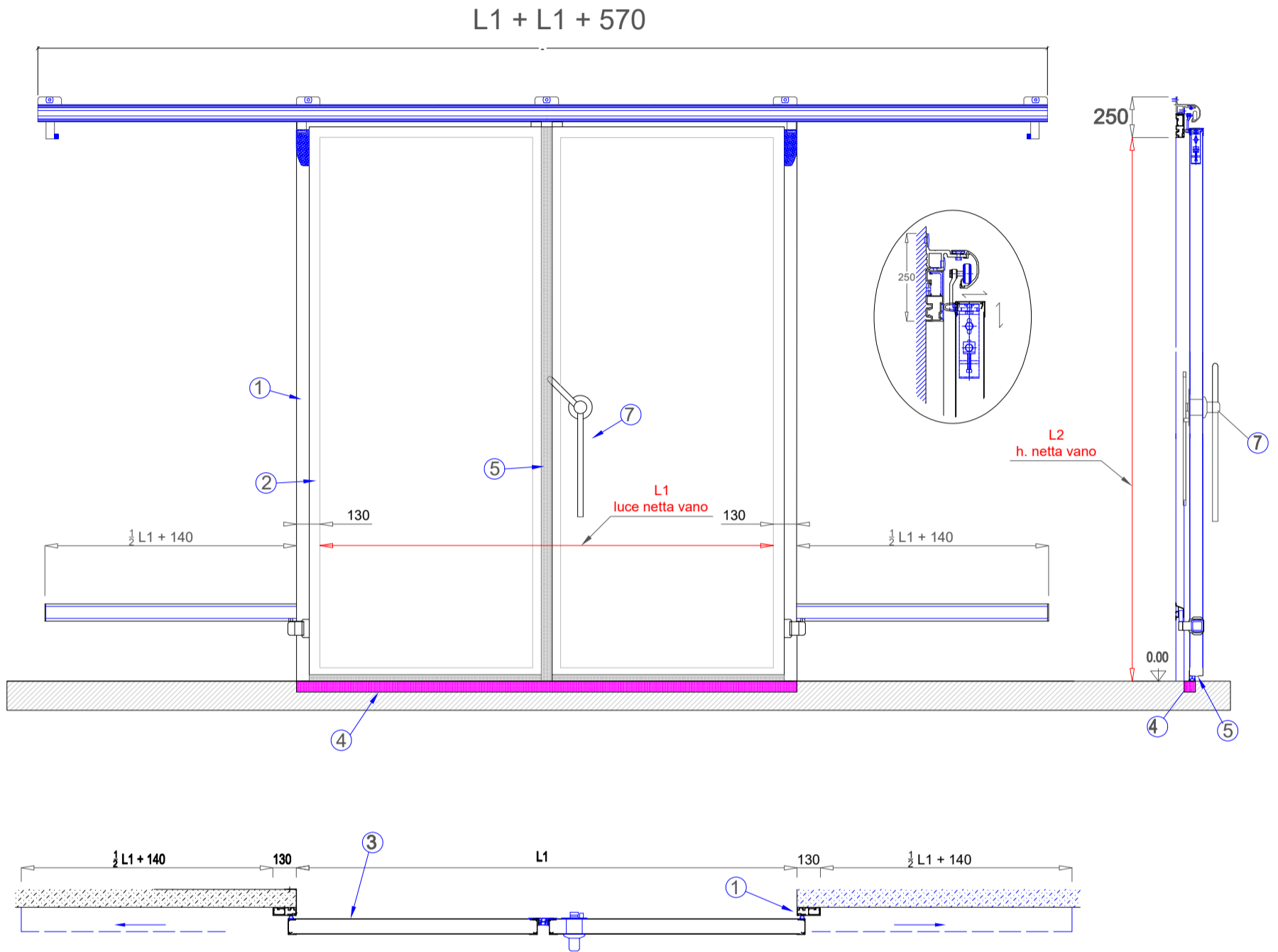
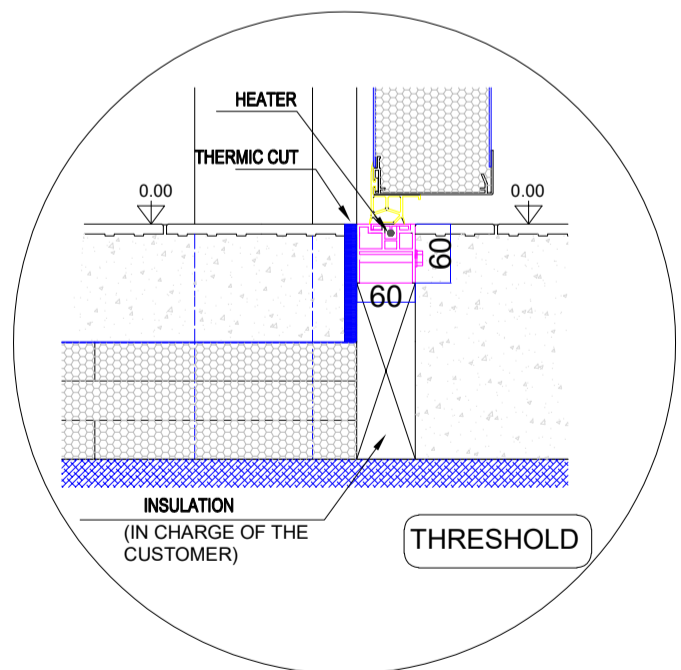
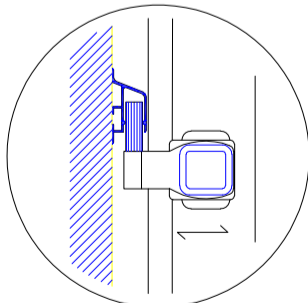
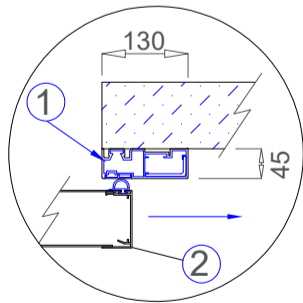
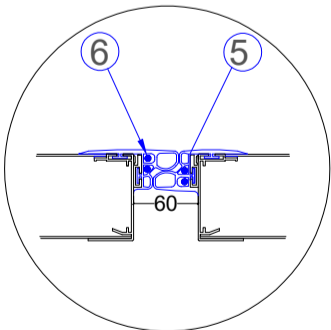


# SLIDING DOOR - mod. 2SC-BT



- ① FRAME S\S CIRCLE POLISHED
- ② EDGE S\S CIRCLE POLISHED or ALLUMINIUM
- ③ WITHE PRE-PAINTED METAL
- ④ THRESHOLD
- ⑤ GASKET
- ⑥ HEATER
- ⑦ HANDLE



**sevenfrigo** **FRIGO DOORS**

doors and cold rooms - By

**AEG** s.r.l.

Ponte S. Giovanni - via della Tecnica, 44  
06135 - Perugia - ITALY  
Tel. +30 - 075 - 5997648 / info@sevenfrigo.eu