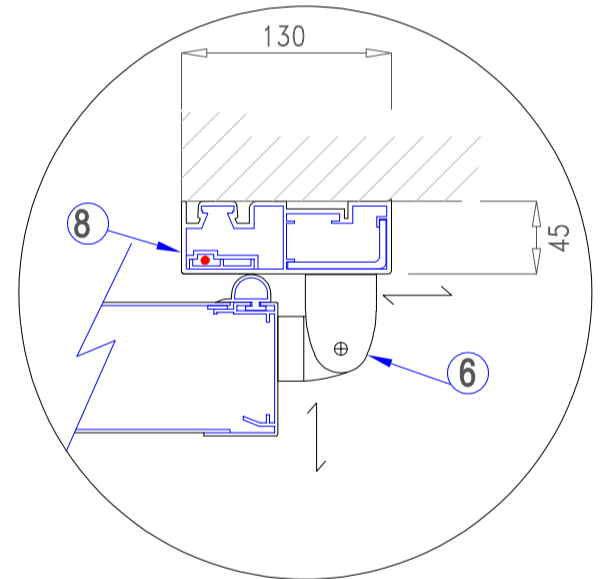
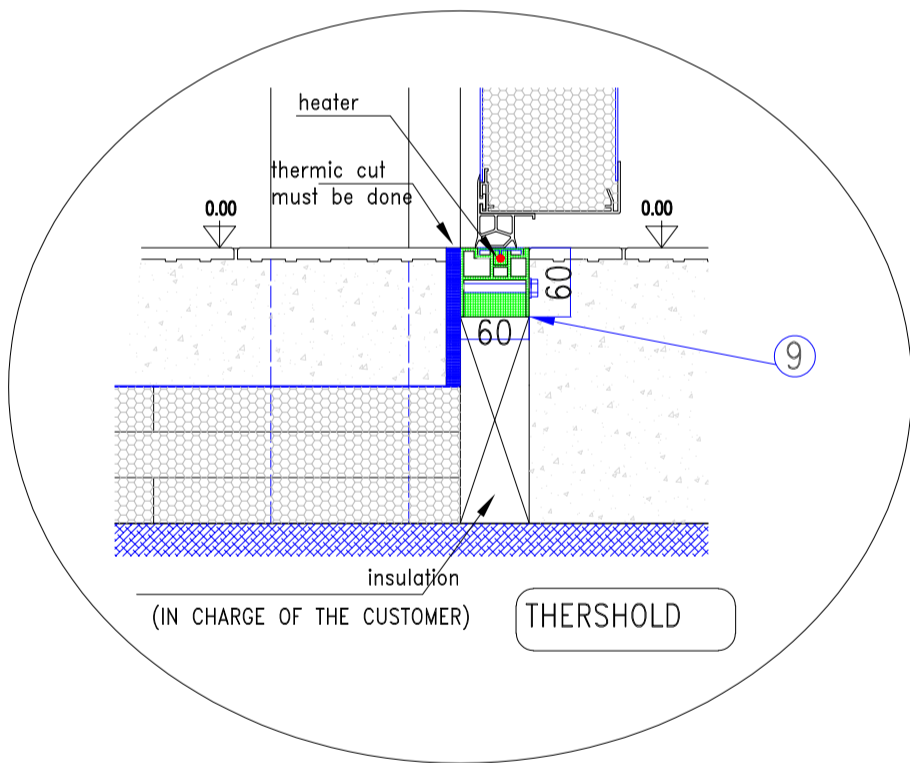
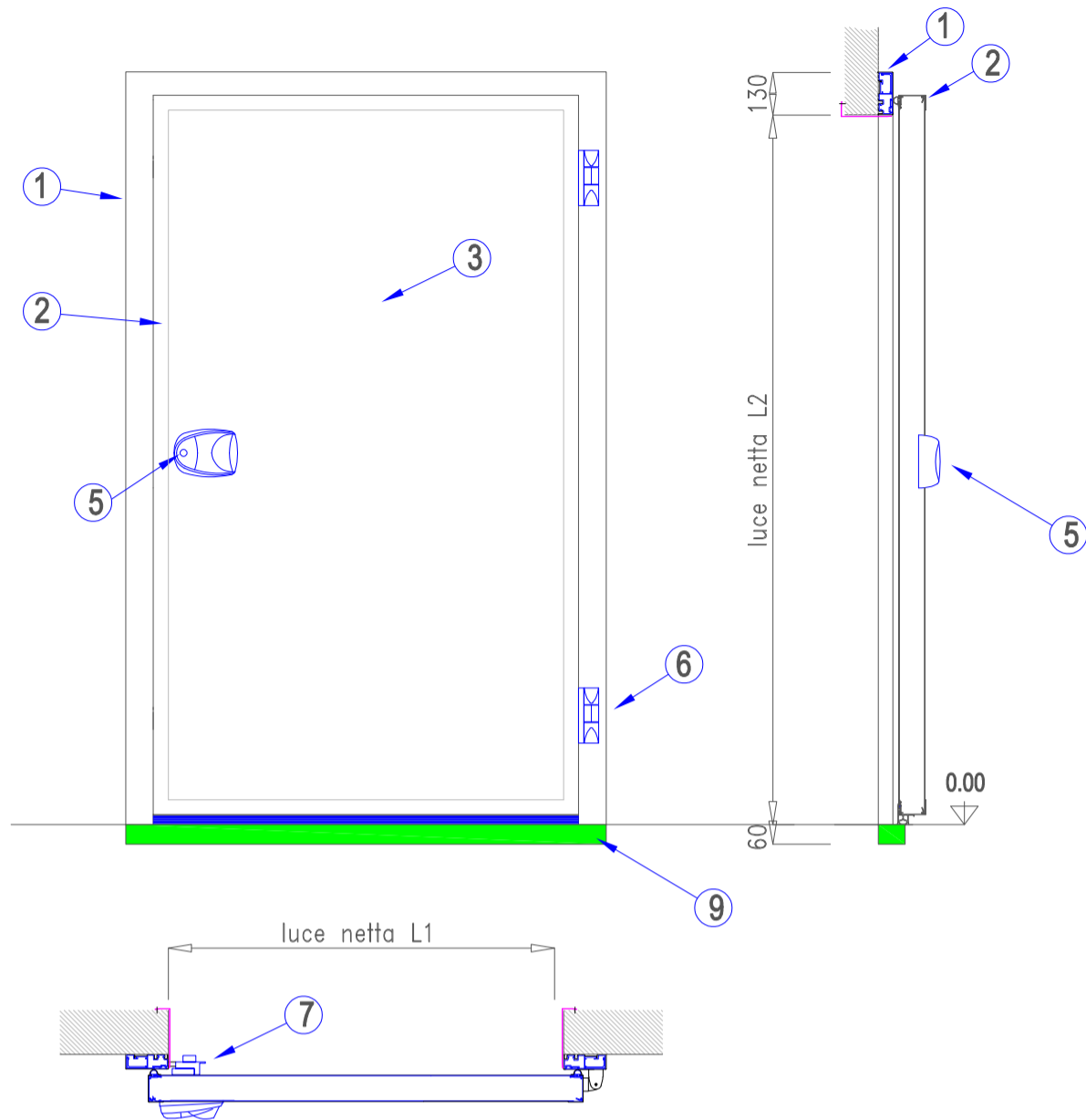


Mod. BC - BT

- ① FRAME
- ② BORDER LEAF
- ③ FACING DOOR
- ④ GASKETS
- ⑤ HANDLE
- ⑥ HINGE
- ⑦ SAFETY INSIDE HANDLE
- ⑧ HEATER
- ⑨ THRESHOLD



Technical data of the hinged and sliding door

All the hinged doors and sliding door produced by A.E.G. SRL are insulated.

The insulation is provided through polyurethane.

The doors leaf are characterized by and made up of:

3 different thicknesses: 66 mm, 86 mm, 126 mm with

- edge border in aluminium or SS and the facing available in pre-painted metal, in stainless steel or fibreglass external faces. In the specific the metal laminate is 0,6 mm on both sides.

- Core made of rigid oven baked foam polyurethane with the following structural characteristics and behaviour:

- density Kg/m^3 40-42

- Closed cells content % > 95

Thermal conductivity λ 0,020 - 0,023 w/mk

Insulating capacity k thickness 66 mm 0,31 w/m²k

k thickness 86 mm 0,24 w/m²k

k thickness 126 mm 0,16 w/m²k



doors and cold rooms - By





Ponte S. Giovanni - via della Tecnica, 44
 06135 - Perugia - ITALY
 Tel. +30 - 075 - 5997648 / info@sevenfrigo.eu